

# ECSK78845PT

Combi Steamer with Meat Probe



## The Bauknecht Steamer Range

### Design

- Pull-down opening
- Protruding handle

### Control

- LCD knob control

### Cooking Features

- 6 Functions: Steam, Forced Air + Steam, Forced Air, Finishing, Reheat, Steam Defrost
- 4 Special Functions: Rising, Preservation, Yoghurt, Disinfection

### Caring Features

- Descaling
- Steam cleaning
- Favourite function

- Reminder message
- Minute timer
- Buzzer at the end of cooking
- Child lock
- Delayed start

### Green Features

- Europe energy class A
- Steam cleaning
- Multi level cooking
- ProTouch surface coating
- Easy clean interior cavity
- Eco mode

### Specifications

- Capacity: 31L
- Temperature setting: 40°C - 230°C
- Connected load: 1450W

- Socket / Fuse spur unit: 13A
- Length of power cord: 1350mm

### Accessories Supplied

- Meat probe: 1
- Water tank: 1.5L
- Baking & drip tray: 1
- Steam tray: 1
- Wire shelf: 1
- Sponge: 1

### Appliance Dimensions

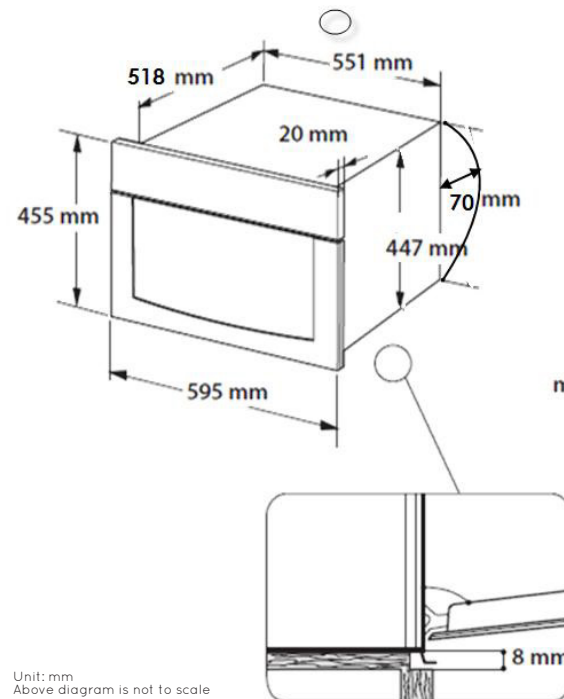
- 455H x 595W x 515Dmm

### Cut Out Dimensions

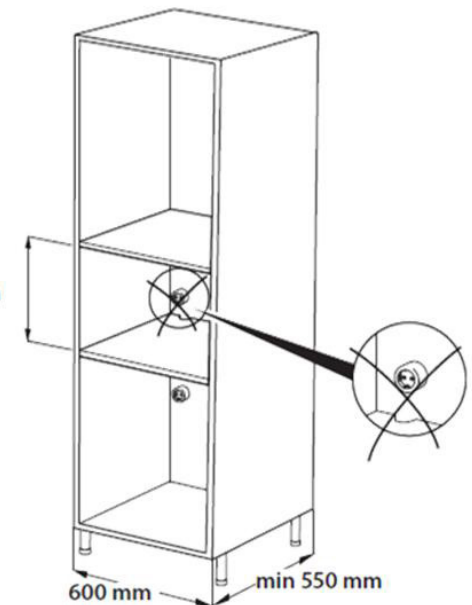
- 450H x 560W x 550Dmm

### Country of Origin

- Italy



min 450 mm



HK\$ 27,800